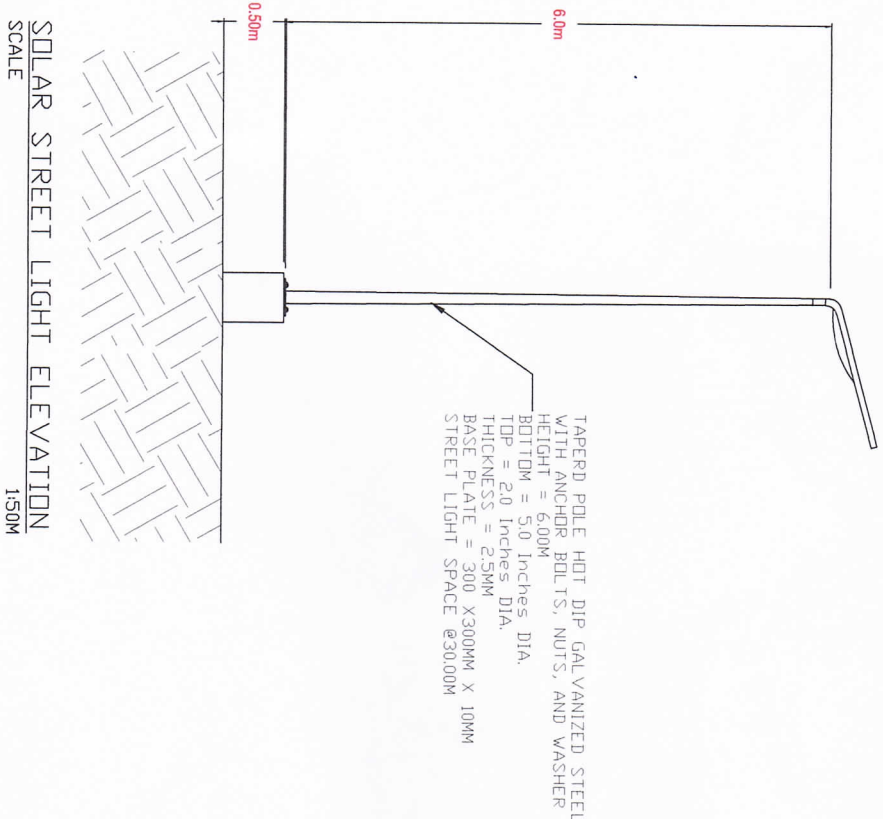


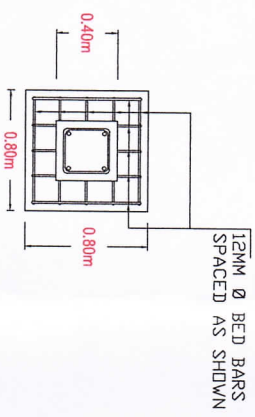
PERSPECTIVE

	<p>PROJECT TITLE : INSTALLATION OF SOLAR STREET LIGHT AT JHOSC-MAIN CAMPUS</p>	<p>PREPARED BY: KENNAN B. RAMSON ELECTRICAL ENGINEER</p>	<p>CHECKED & SUBMITTED BY: PANGASIAN B. MAMINTAS COLLEGE DESIGNER</p>	<p>NOTED BY: ZANN STEPHINE D. CUADRA SSC-FERRARI DESIGNER</p>	<p>RECOMMENDING APPROVAL: RODRIGO P. MILLARES, JR. REE-EMP PLANNING AND DEVELOPMENT DIRECTOR</p>	<p>APPROVED: DR. FREDDIE T. BERNAL, CESO III DIC-PRESIDENT</p>	<p>SHEET CONTENT: AS SHOWN</p>	<p>SHEET NO. A-1 1 3</p>
<p>LOCATION: TAMI, SAN MIGUEL, ZAMBANGALA DEL SUR</p>	<p>DATE: _____</p>	<p>DATE: _____</p>	<p>DATE: _____</p>	<p>DATE: _____</p>	<p>DATE: _____</p>			

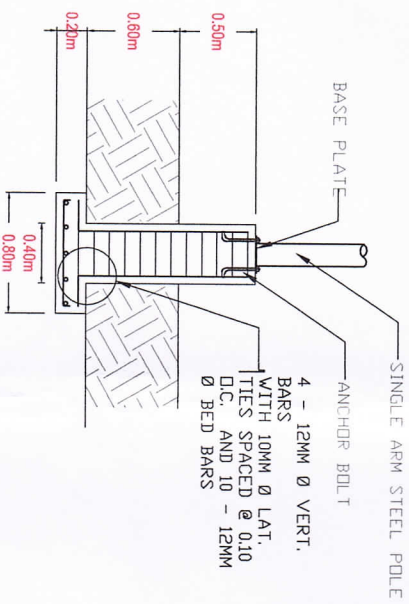
SOLAR STREET LIGHT PEDESTAL



SOLAR STREET LIGHT ELEVATION
 SCALE 1:50M

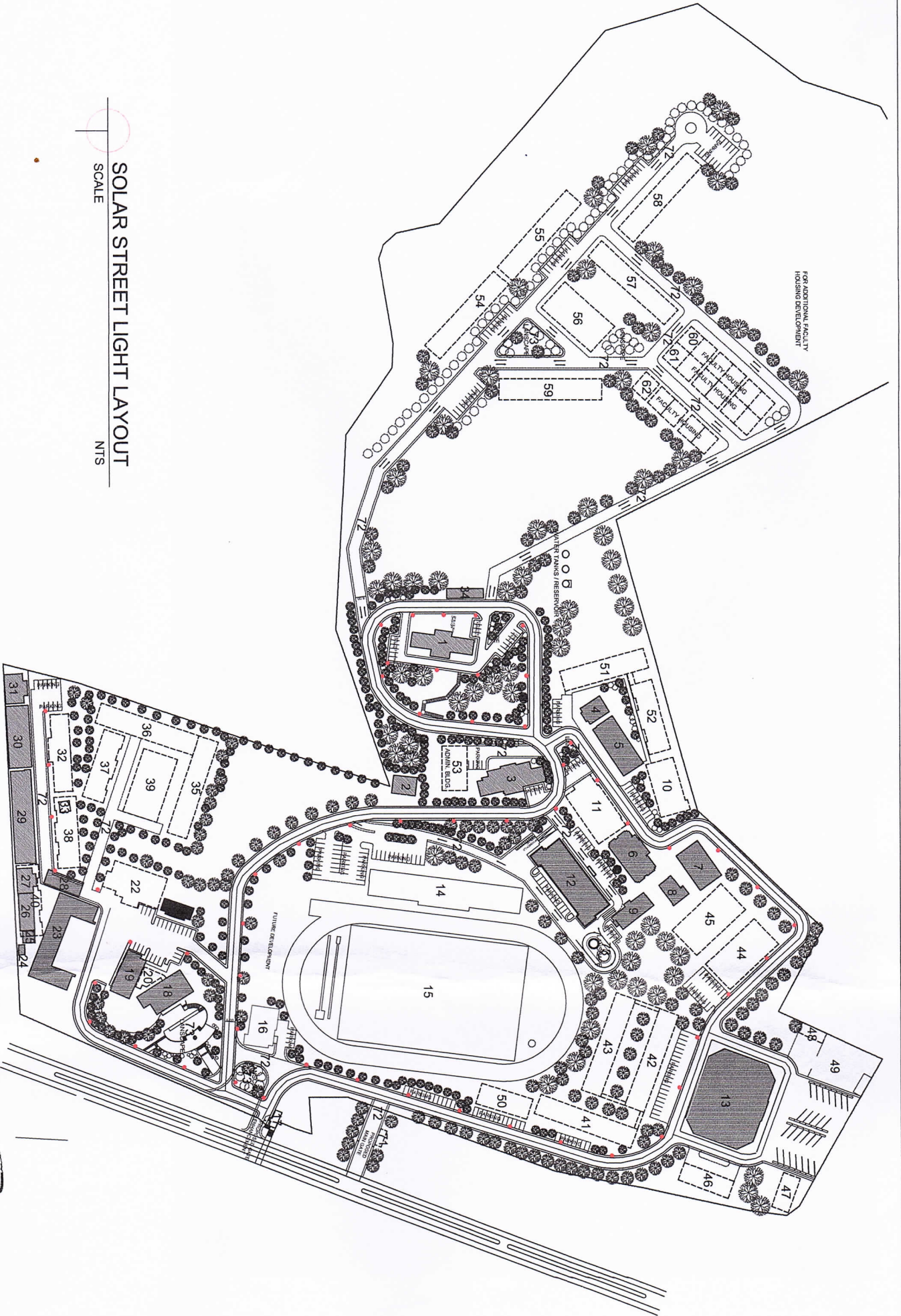


DETAIL OF FOOTING
 SCALE 1:40



DETAIL OF PEDESTAL
 SCALE 1:40

	PROJECT TITLE : INSTALLATION OF SOLAR STREET LIGHT AT JHOSC-MAIN CAMPUS LOCATION: MAIN SAN MIGUEL ZAMBONGA DEL SUR	PREPARED BY: KENAN B. RAMOSON ELECTRICIAN	CHECKED & SUBMITTED BY: FANGASIAN B. MAMINTAS CIVIL ENGINEER	NOTED BY: VANN STEPHINE D. MADRA SPECIALIZED PRESIDENT	RECOMMENDING APPROVAL: RODRIGO P. MILLARES, JR. REE. ENP PLANNING AND DEVELOPMENT DIRECTOR	APPROVED: DR. FREDDIE T. BERNAL, CESO III DIC-PRESIDENT	SHEET CONTENT: AS SHOWN	SHEET NO. A-2 2 3
	DATE :	DATE :	DATE :	DATE :	DATE :	DATE :		



SOLAR STREET LIGHT LAYOUT
SCALE NTS



PROJECT TITLE : INSTALLATION OF SOLAR STREET LIGHT AT JHSCG-MAIN CAMPUS	PREPARED BY : KENAN B. SAMSON ELECTRICAL ENGINEER	CHECKED & SUBMITTED BY : PANGASIAN B. MAMINTAS COLLEGE ENGINEER	NOTED BY : VANN STEPHINE E. CUADRA SSC-FEDERATED PRESIDENT	RECOMMENDING APPROVAL : RODRIGO P. MILLARES, JR. REE, ENP PLANNING AND DEVELOPMENT DIRECTOR	APPROVED : DR. FREDDIE T. BERNAL, CESO III OIC-PRESIDENT	SHEET CONTENT : AS SHOWN	SHEET NO. : A-3 3 3
LOCATION : MARIAN ROAD, ZAMBONIA DEL SUR	DATE : _____	DATE : _____	DATE : _____	DATE : _____	DATE : _____		